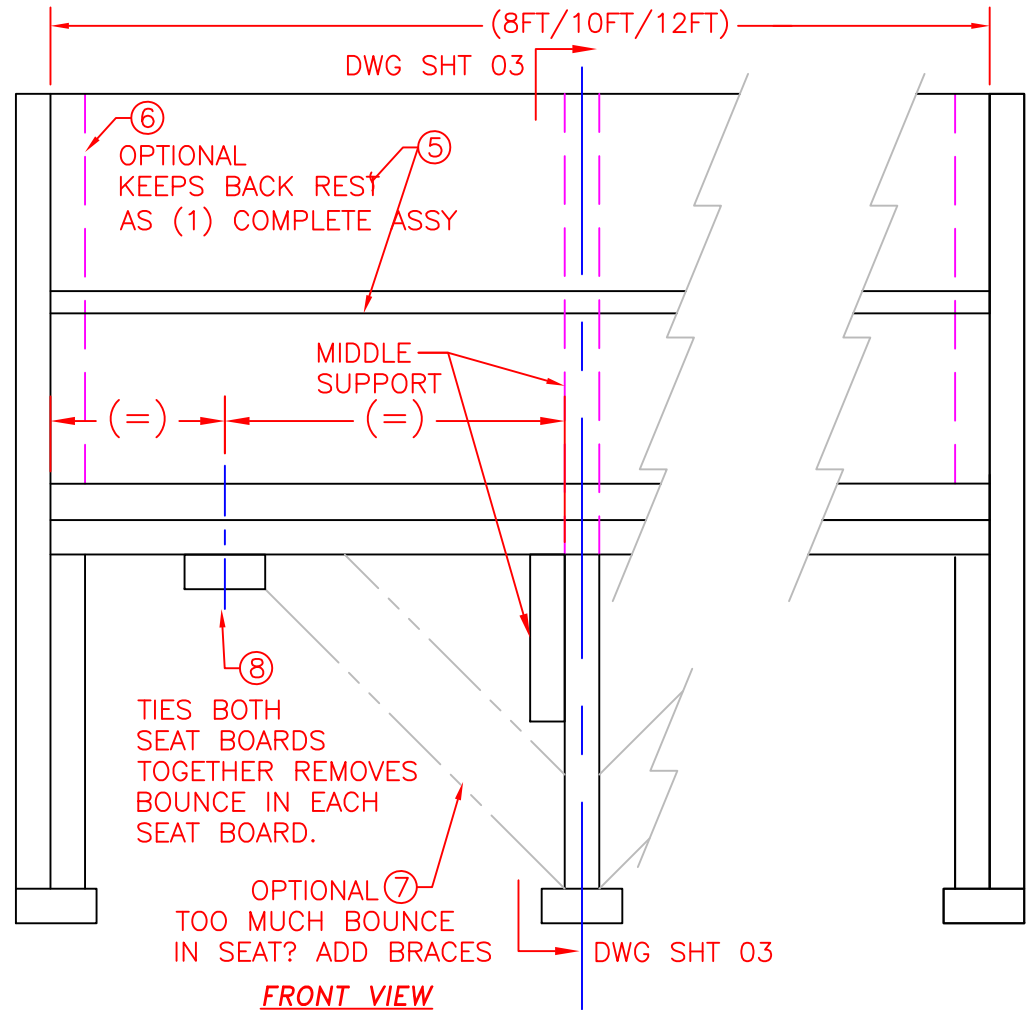
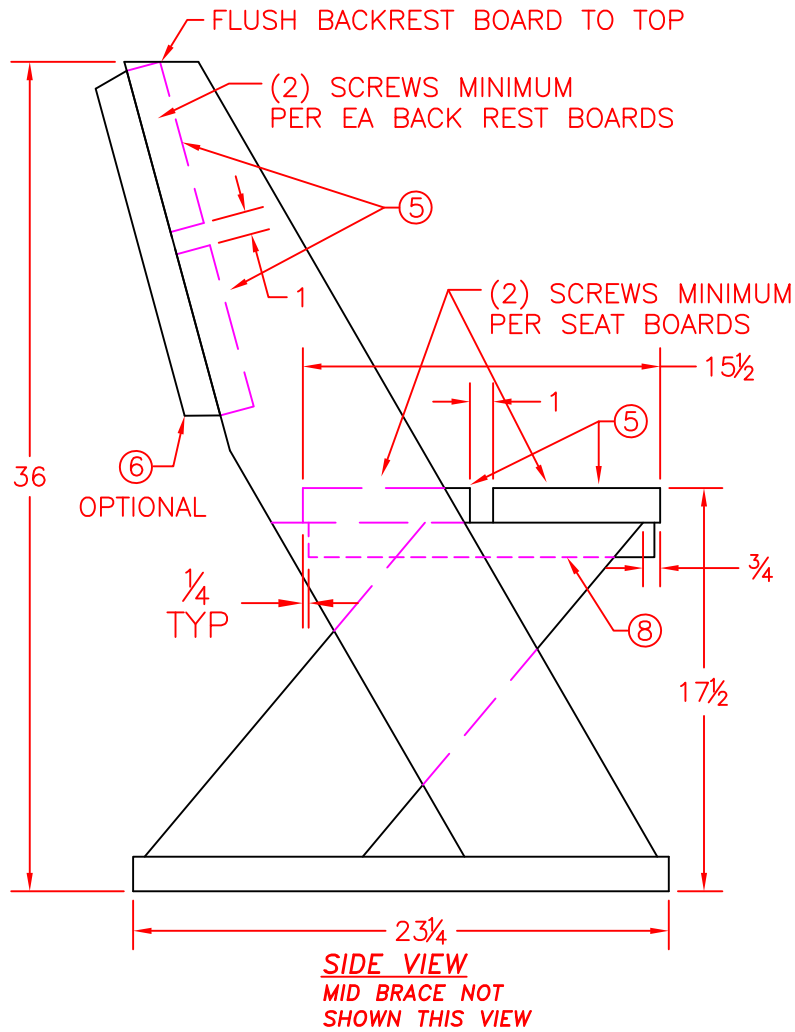


THESE PLANS MODIFIED FROM FOLLOWING PLANS
<https://rogueengineer.com/diy-outdoor-bench-plans-with-back/>

THIS BENCH CAN BE EASILY DISASSEMBLED AND STORED
 IF YOU PLACE YOUR SCREWS IN EASY TO ACCESS LOCATIONS



THIS BENCH IS NOT LOAD RATED.
 ENSURE SAFE / STURDY CONSTRUCTION FOR APPLICATION

SHEET 1 OF 5

DWG LIST
 SHT 1: GENERAL ASSY
 SHT 2: LHS/RHS BENCH SUPP.
 SHT 3: MIDDLE SUPPORT
 SHT 4: PART DETAILS
 SHT 5: CUT LIST / LAYOUT

MK#	QTY.	DESCRIPTION	MATERIAL	WT.
-	--	#8 - 2-1/2" Lg WOOD SCREWS		
8	2	2x4 - 15' Lg	SPRUCE	-
7	2	2x4 - OPTIONAL SUPPORT IF NEEDED	SPRUCE	
6	2/3	2x4 - OPTIONAL SUPPORT IF NEEDED	SPRUCE	
5	4	2x8 - CUT TO BENCH WIDTH AS NEEDED	SPRUCE	-

MATERIAL LIST

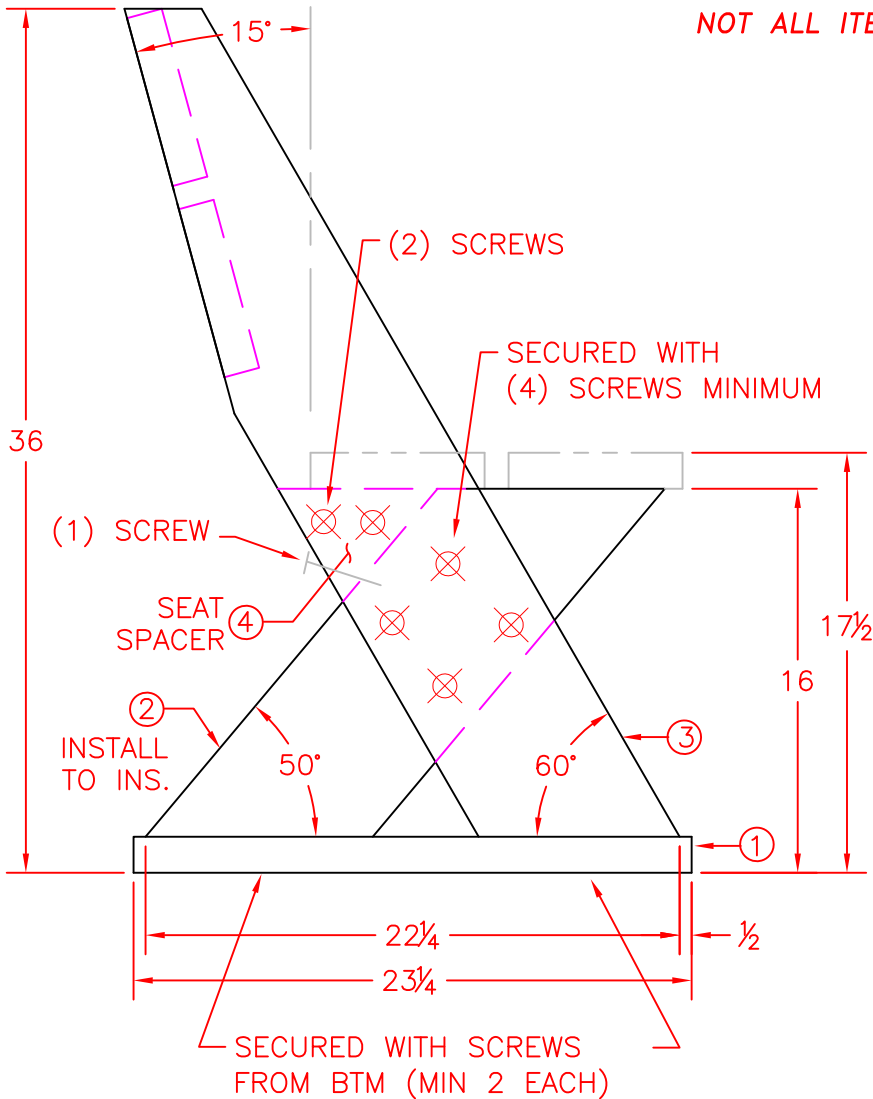
NO.	DATE	DESCRIPTION	BY	APP'D
0	JAN 2021	ISSUED FOR INFO	-	

REVISIONS

DESCRIPTION:
 8 TO 12 FT BENCH PLANS
 GENERAL ASSEMBLY
 SHT-01 OF 05

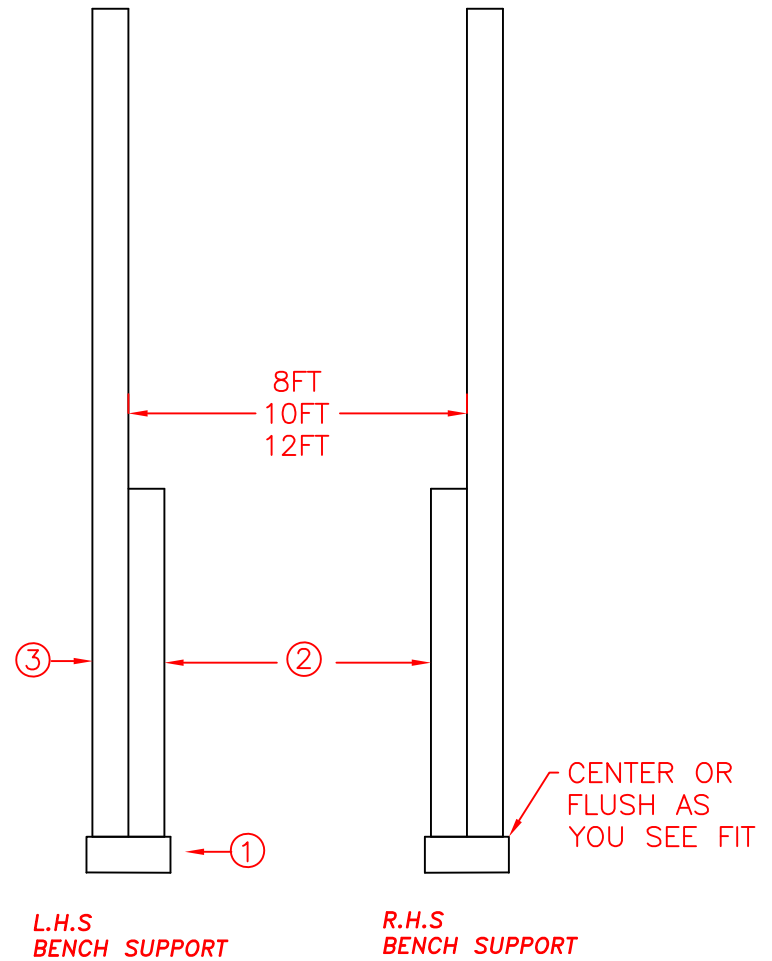
SCALE : NTS	
DATE	PART NO.
2021	-
DRAWING NO.	REV
8FT-12FT BENCH	0

FOR:
 INFO



**LHS BENCH SUPPORTS
SIDE VIEW**

NOT ALL ITEMS SHOWN



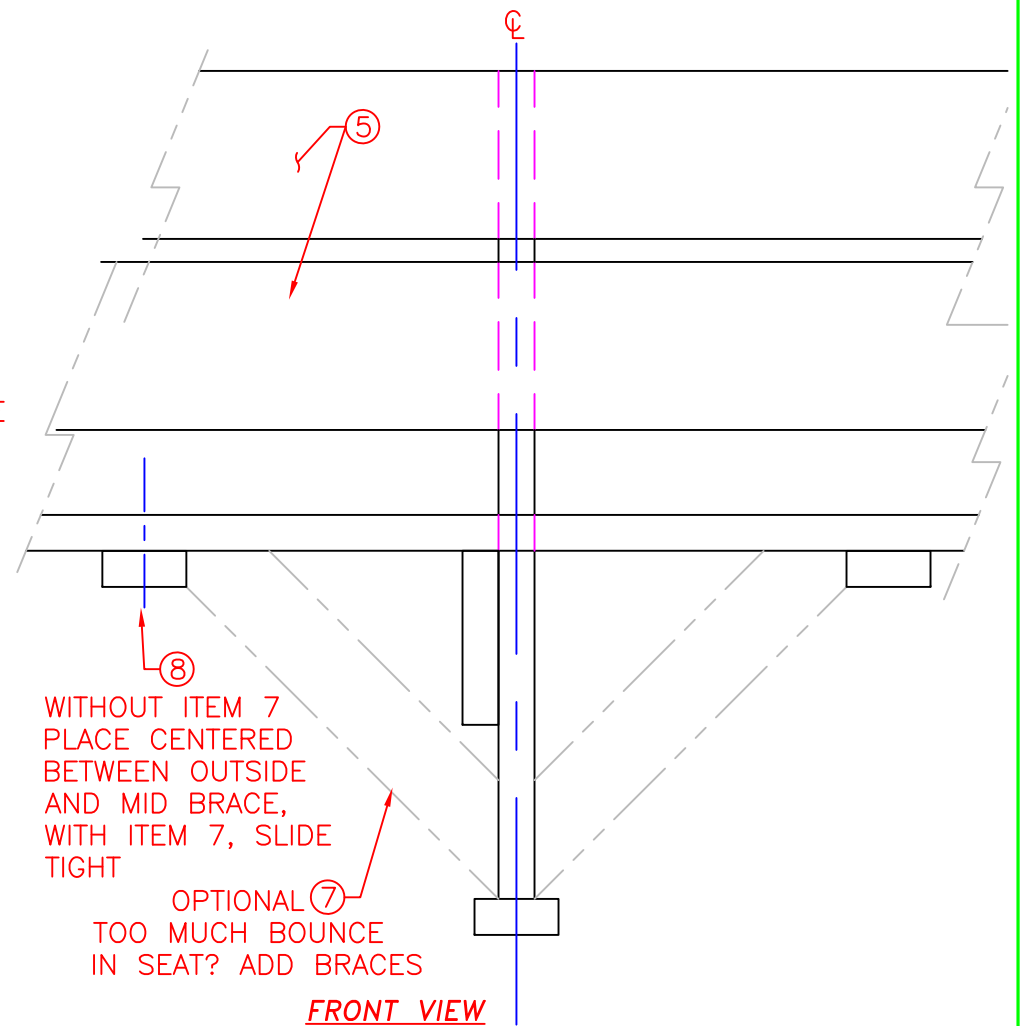
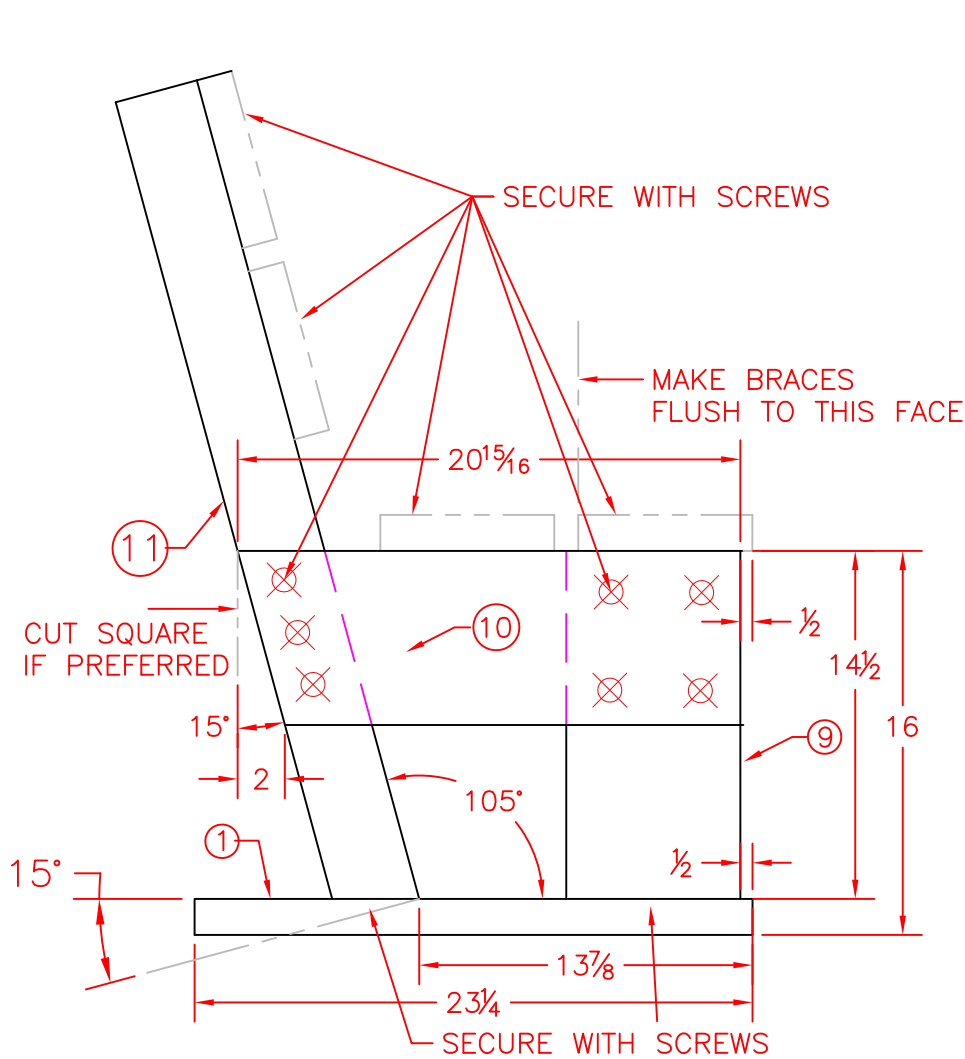
**L.H.S & R.H.S BENCH SUPPORTS
FRONT VIEW**

DWG LIST
 SHT 1: GENERAL ASSY
 SHT 2: LHS/RHS BENCH SUPP.
 SHT 3: MIDDLE SUPPORT
 SHT 4: PART DETAILS
 SHT 5: CUT LIST / LAYOUT

MK#	QTY.	DESCRIPTION	MATERIAL	WT.
-	--	#8 - 2-1/2"lg WOOD SCREWS		
4	2	2x8 - SEE DETAIL SHEET FOR INFO	SPRUCE	-
3	2	2x8 - SEE DETAIL SHEET FOR INFO	SPRUCE	
2	2	2x8 - SEE DETAIL SHEET FOR INFO	SPRUCE	
1	2	2x4 - 23-1/4" LONG	SPRUCE	-

NO.	DATE	DESCRIPTION	BY	APP'D
0	JAN 2021	ISSUED FOR INFO	-	

DESCRIPTION: 8 TO 12 FT BENCH PLANS LHS / RHS BENCH SUPPORTS SHT-02 OF 05		SCALE : NTS	
FOR: INFO		DATE 2021	PART NO. -
DRAWING NO. 8FT-12FT BENCH		REV 0	



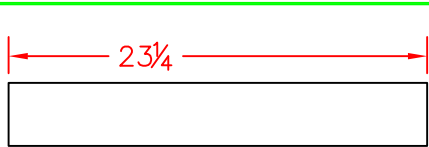
FRONT VIEW

DWG LIST
 SHT 1: GENERAL ASSY
 SHT 2: LHS/RHS BENCH SUPP.
 SHT 3: MIDDLE SUPPORT
 SHT 4: PART DETAILS
 SHT 5: CUT LIST / LAYOUT

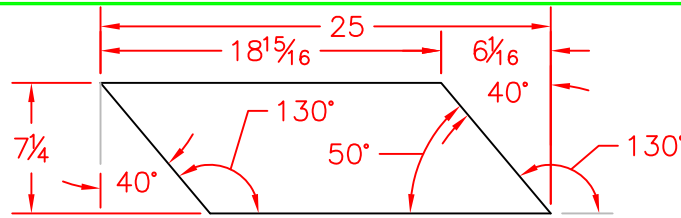
MK#	QTY.	DESCRIPTION	MATERIAL	WT.
-	--	#8 - 2-1/2" Lg WOOD SCREWS		
11	1	2x4 - SEE DETAIL SHEET FOR INFO		-
10	2	2x8 - 21" Lg (NOT ON DETAIL SHEET)	SPRUCE	
9	1	2x8 - 14-1/2" Lg (NOT ON DETAIL SHEET)	SPRUCE	
1	1	2x4 - 23-1/4 Lg	SPRUCE	-

NO.	DATE	DESCRIPTION	BY	APP'D
0	JAN 2021	ISSUED FOR INFO	-	

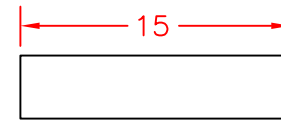
DESCRIPTION: 8 TO 12 FT BENCH PLANS MID SPAN BENCH SUPPORT SHT-03 OF 05		SCALE : NTS	
DATE 2021	PART NO. -		
FOR: INFO	DRAWING NO. 8FT-12FT BENCH	REV 0	



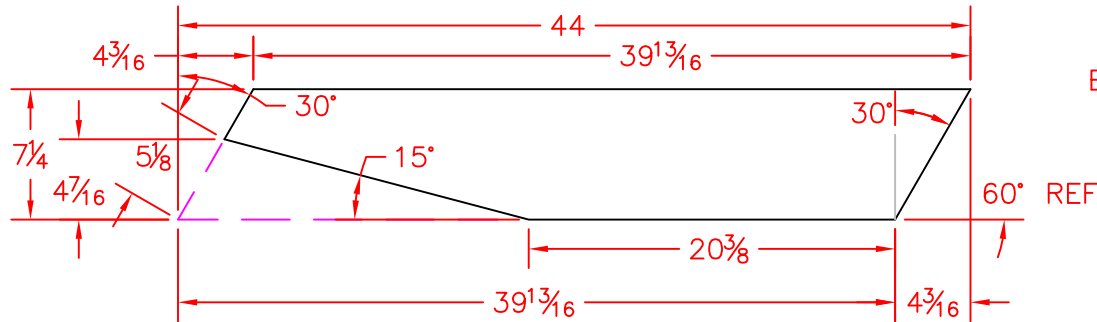
ITEM #1 (FOOT)
2"x4" WOOD.
QTY: 3



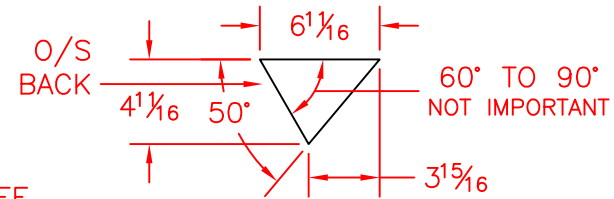
ITEM #2 (SHORT LEG)
2"x8" WOOD
QTY: 2



ITEM #8 (SEAT SUPP.)
2"x4" WOOD.
QTY: 2 OR AS NEEDED



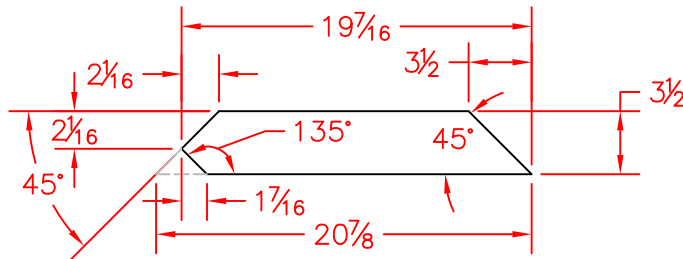
ITEM #3 (LONG LEG)
2"x8" WOOD.
QTY: 2



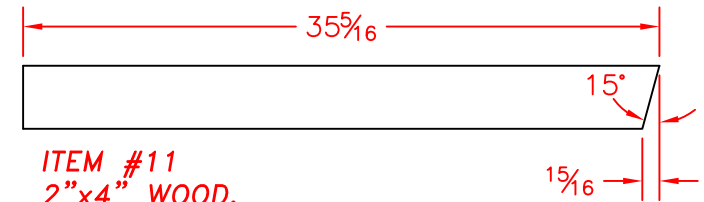
ITEM #4 (SEAT SPACER/FILL BLOCK)
2"x8" WOOD.
QTY: 2



ITEM #6
(OPTIONAL BACK REST SUPP.)
2"x4" WOOD.
QTY: 2 OR AS NEEDED



ITEM #7 (OPTIONAL SEAT BRACE.)
2"x4" WOOD.
QTY: 2



ITEM #11
2"x4" WOOD.
QTY: 1

DWG LIST
SHT 1: GENERAL ASSY
SHT 2: LHS/RHS BENCH SUPP.
SHT 3: MIDDLE SUPPORT
SHT 4: PART DETAILS
SHT 5: CUT LIST / LAYOUT

				WORK ORDER#				
				DRAWN BY				
				CHECKED			DESCRIPTION: 8 TO 12 FT BENCH PLANS	
				APPROVED			SCALE : NTS	
				0 JAN 2021 ISSUED FOR INFO			DATE 2021	
							PART NO. -	
MK# QTY.				DESCRIPTION			DRAWING NO.	
				MATERIAL			8FT-12FT BENCH	
				WT.			REV 0	
				NO. DATE			FOR: INFO	
				DESCRIPTION				
				BY APP'D				
				CUSTOMER P.O.				
				REVISIONS				

MATERIAL LIST - 8/10/12FT BENCH				
REQ'D/EXTRA	BOARD SIZE	QTY	LENGTH	CUT FROM BOARD
REQ'D	2X8	1	8'/10'/12'	<2> SEAT BOARDS
REQ'D	2X8	1	8'/10'/12'	<2> BACK REST BOARDS
REQ'D	2X8	1	8FT <MIN>	2X ITEM #2 1X ITEM #9 1X ITEM #10
REQ'D	2X8	1	8FT <MIN>	2X ITEM #3 2X ITEM #4
REQ'D	2X4	1	8FT <MIN>	2X ITEM #1 1X ITEM #8
REQ'D	2X4	1	8FT <MIN>	1X ITEM #11 1X ITEM #1 <45.5" OF SCRAP BOARD>
OPTIONAL	2X4	1	8Ft	2X ITEM #6 2X ITEM #7 <AS NEEDED>
1 LBS	-	1	2-1/2 INCH	2-1/2" LONG #8 WOOD SCREWS

THIS IS A REFERENCE ONLY, QTY PER LENGTH BASED ON SQUARE CUT ENDS.
SOME ANGLE CUTS CAN BE STACKED, AND BASED ON LENGTH OF BENCH YOU MAY BE ABLE TO NEST MORE PARTS PER BOARD LENGTH.

DWG LIST
SHT 1: GENERAL ASSY
SHT 2: LHS/RHS BENCH SUPP.
SHT 3: MIDDLE SUPPORT
SHT 4: PART DETAILS
SHT 5: CUT LIST / LAYOUT

MK#	QTY.	DESCRIPTION	MATERIAL	WT.
MATERIAL LIST				

NO.	DATE	DESCRIPTION	BY	APP'D
0	JAN 2021	ISSUED FOR INFO	-	
REVISIONS				

WORK ORDER#	-		
DRAWN BY	-		
CHECKED			
APPROVED			SCALE : NTS
CUSTOMER P.O.	FOR:	INFO	
	DESCRIPTION:	8 TO 12 FT BENCH PLANS	
	CUT LIST	SHT-05 OF 05	
	DATE	2021	PART NO. -
	DRAWING NO.	8FT-12FT BENCH	
	REV	0	